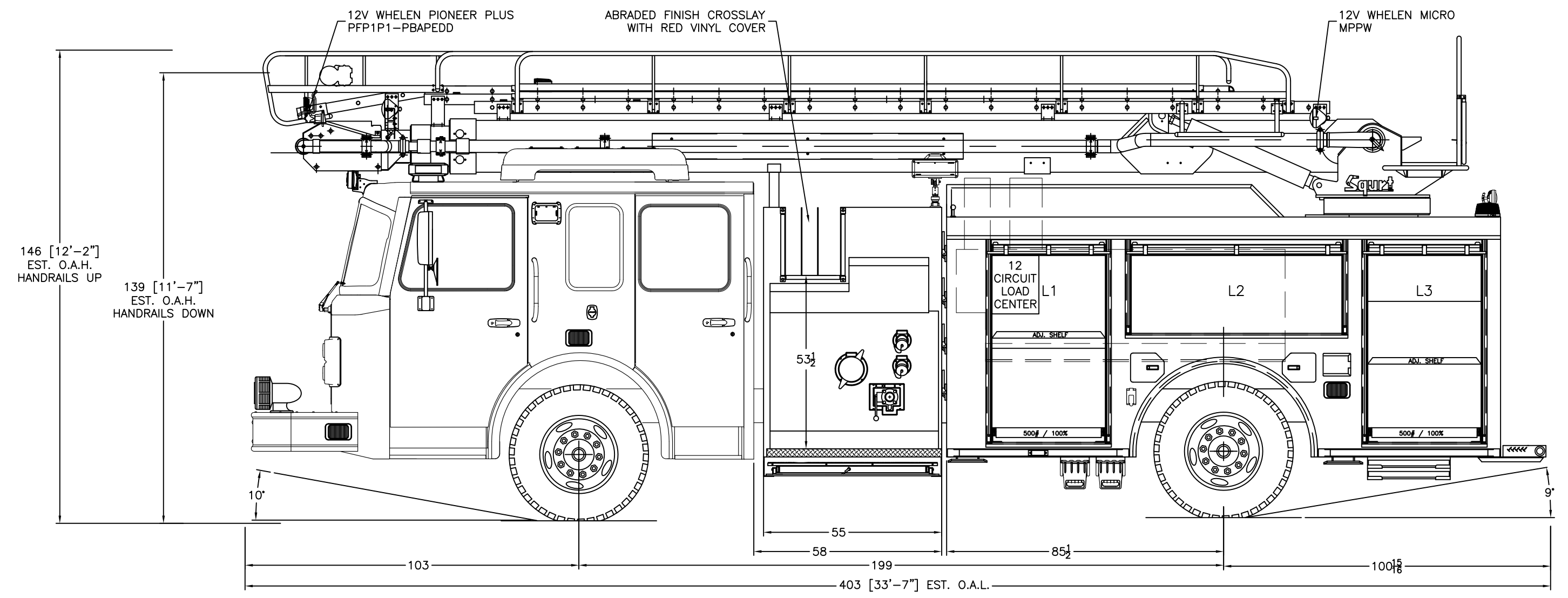
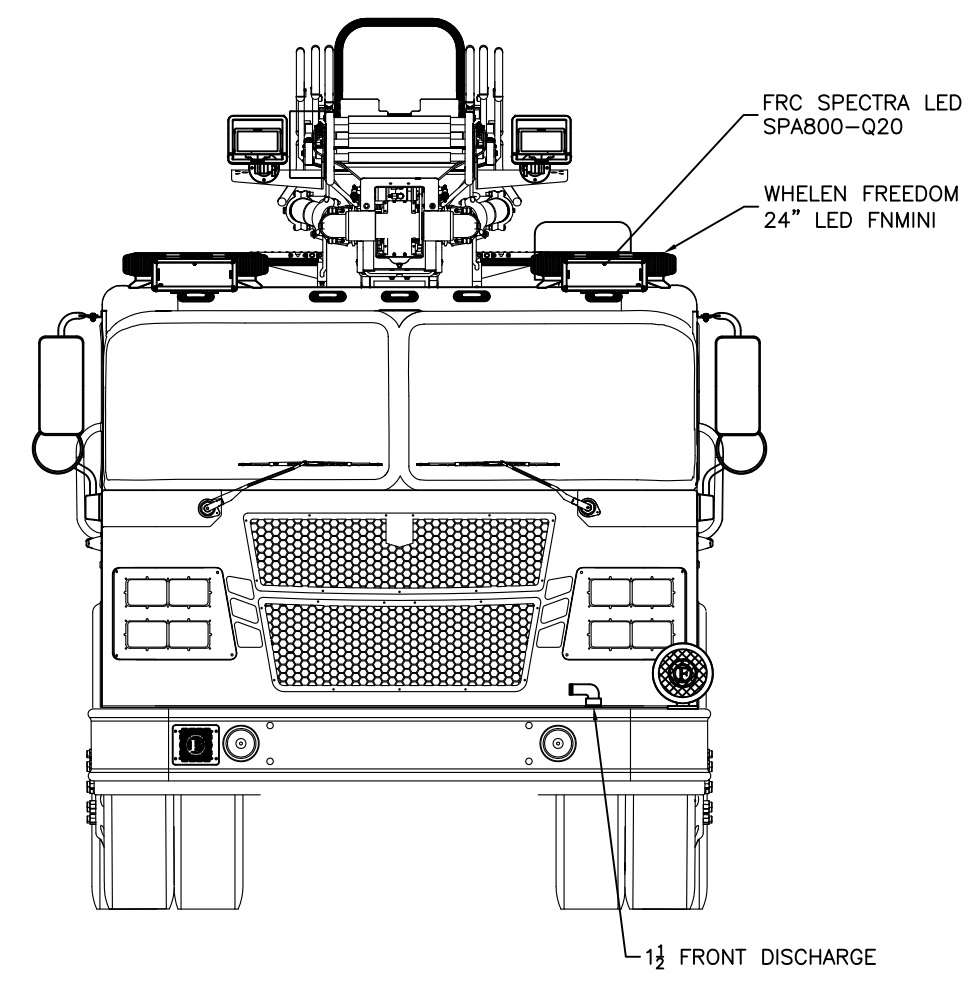
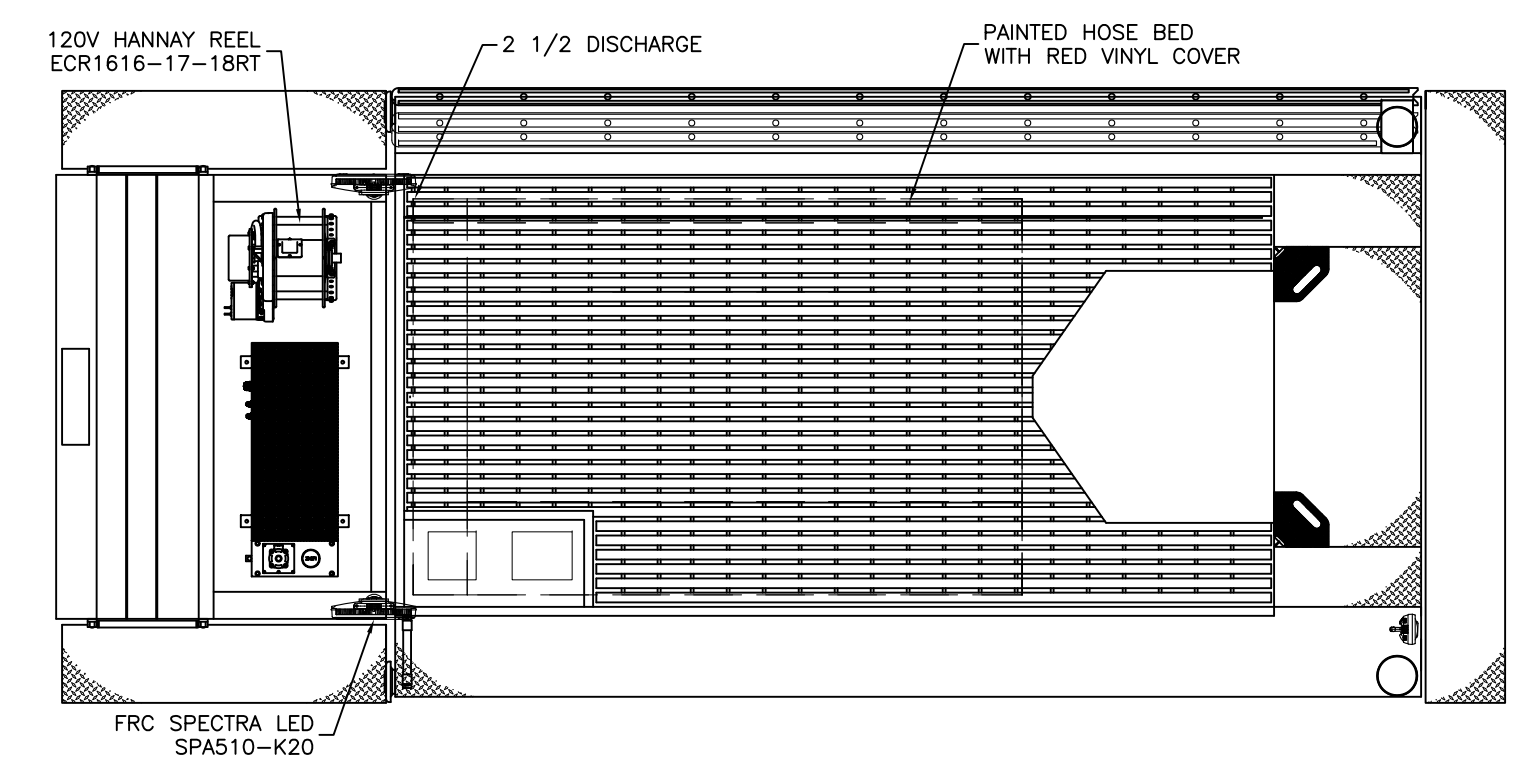


GROUND LADDERS & PIKE POLES			
ITEM	DESCRIPTION	MODEL	QTY
A	24' 2 SEC	PEL-24	1
B	14' ROOF	PRL-14	1
C	10' ATTIC	FL-10	1
D	6' PIKE POLE	UL-6	1
E	10' PIKE POLE	UL-10	1

COMPT.	OPENING	UPPER	DEPTH	LOWER
L1	35W x 57H	14		26
L2	65W x 24H	14		-
L3	35W x 57H	14		24
R1	35W x 27H	22		-
R2	35W x 27H	24		-
INTERMEDIATE DIVIDE HEIGHT				
L1/R1	27		L3	43



**NOTE:**  
DIMENSIONS SHOWN ARE APPROXIMATE AND ARE SUBJECT TO CHANGE AS MAY BE FOUND NECESSARY DURING CONSTRUCTION. MINOR DETAILS MAY NOT BE SHOWN.

THE DRAWING IS FOR REFERENCE PURPOSES ONLY. SOME ITEMS MAY OR MAY NOT APPEAR ON THE DRAWING THAT MAY OR MAY NOT INCLUDED IN THE SPECIFICATIONS. SPECIFICATIONS SHALL BE THE FINAL AUTHORITY TO BE DETERMINED WHAT IS SUPPLIED ON THE APPARATUS.

CHASSIS: SIRIUS MFD FLAT ROOF  
PUMP: WATEROUS CXSC20 1500 GPM  
TANK: 750 GAL  
FOAM: 20 GAL  
HOSEBED: 1000' OF 5" / 200' OF 2-1/2"  
GENERATOR: HARRISON 10kW MCR  
COMPARTMENTS: 99 CUBIC FEET  
HANSEN DOORS

**SHOP ORDER**

Date	Approval Signatures	Revisions
	DEALER	
	FIRE CHIEF	
	SALES AD.	
	PRODUCTION	
	ENGINEERING	



Revisions		SMEAL FIRE APPARATUS SNYDER, NE 68664	
KS	REVISED 1/13/15	SMEAL DEMO 65' TELESQURT	
CL	REVISED 3/18/15		
Drawn by:	CL	Scale:	3/8"=1'
Chk'd:		Date:	8/27/14
	18 x 24	SD	
		Material:	Drawing No: 4390