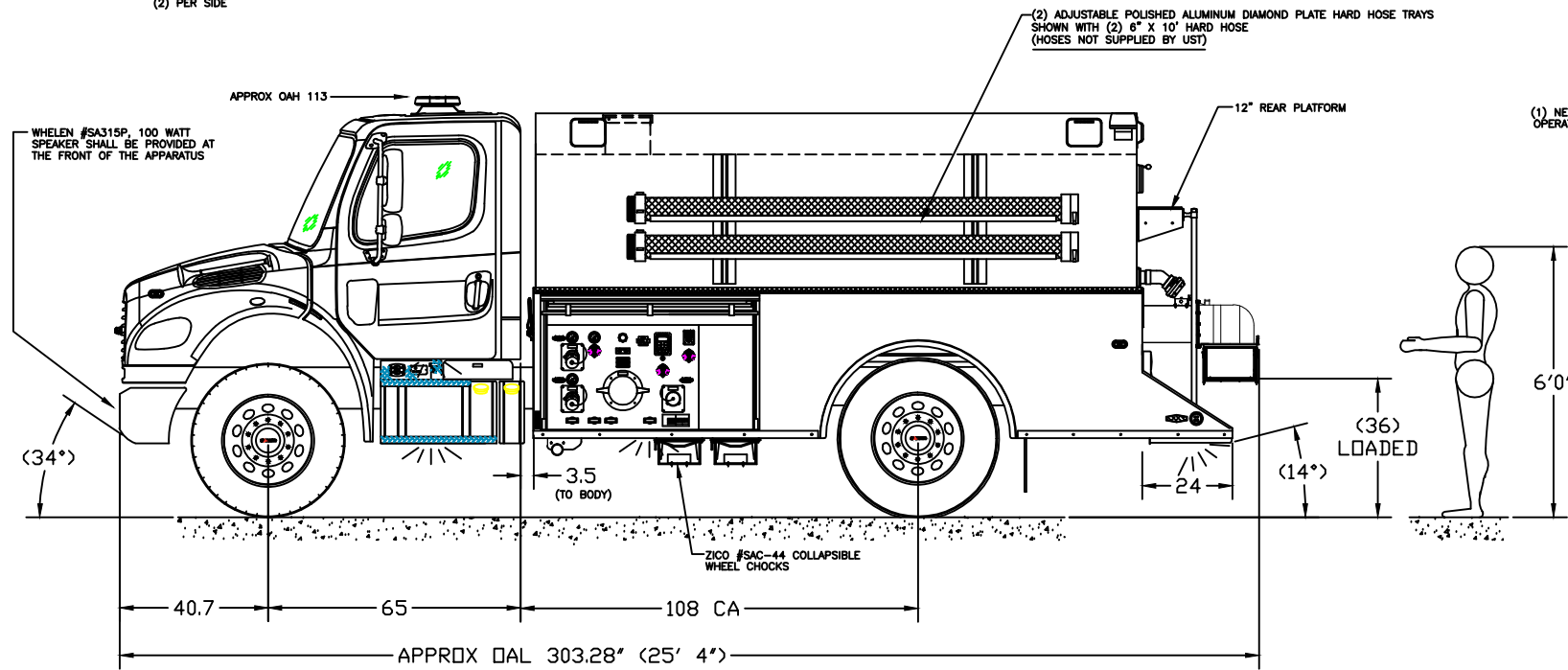


- NOTES:
1. BLACK "TURTLE TILE" DECKING SHALL BE INSTALLED IN EACH COMPARTMENT
 2. THE "TURTLE TILE DECKING SHALL HAVE A 2" DEEP BLACK TAPERED EDGE BETWEEN THE COMPARTMENT DOOR AND THE FRONT EDGE OF THE DECKING
 3. THE CHASSIS EXHAUST SYSTEM SHALL REMAIN AS SUPPLIED FROM CHASSIS MFG

APPROX HOSE BED DIMENSIONS
 (146 LG X 62.5 W X 11 DP)
 APPROX 58 CU. FT. OF HOSE CAPACITY
 WITH A (BLACK) VINYL HOSE BED COVER
 WITH A REAR WEIGHTED FLAP AND (1)
 ADJUSTABLE HOSE BED DIVIDER
 (COVER NOT SHOWN)

(1) NEWTON #6012SW-34, 10" STAINLESS STEEL 90° ADAPTER SHALL BE SUPPLIED



NOTE: PUMP PANEL LAYOUT SHOWN IS FOR REFERENCE ONLY

COMPARTMENTATION	INSIDE DIMENSIONS		
	WIDTH	HEIGHT	DEPTH
STREET/CURB - FRONT	60"	37.5"	27"

CUSTOMER APPROVAL		CUSTOMER	UST STOCK TRUCK
THIS DRAWING IS ONLY A REPRESENTATION OF THE PRODUCT. EXACT LOCATION OF COMPONENTS MAY DIFFER DUE TO MANUFACTURING/SUPPLIER CHANGE. WRITTEN SPECIFICATIONS SUPERSEDE PRINTS		SIZE	2000 GALLON
SIGNATURE _____		TANK MATERIAL	POLY IIE
TITLE _____		BODY MATERIAL	STAINLESS STEEL
DATE _____		CROSS SECTION	CUSTOM x 160" LG
CONCEPT <input type="checkbox"/> ORDER <input checked="" type="checkbox"/>		AFTERFRAME	60"
BID <input type="checkbox"/> UST#5642		PUMP	HALE MBP 750 GPM (PTO)
		CHASSIS	FREIGHTLINER M2106
		DRAWN BY	JLB DATE 7/24/14
ALL DIMENSIONS ARE FOR REFERENCE ONLY			



1827 HOBBS DR.
 DELAVAN, WI. 53115
 PHONE: 1-(800)-279-4911
 FAX: 1-(262)-725-7000
 E-MAIL SALES@USTANKER.COM
 WEBSITE: WWW.USTANKER.COM